

### Application

The PSN series is a submerged deep well pump designed for Main Engine lubrication supply system.

### Design

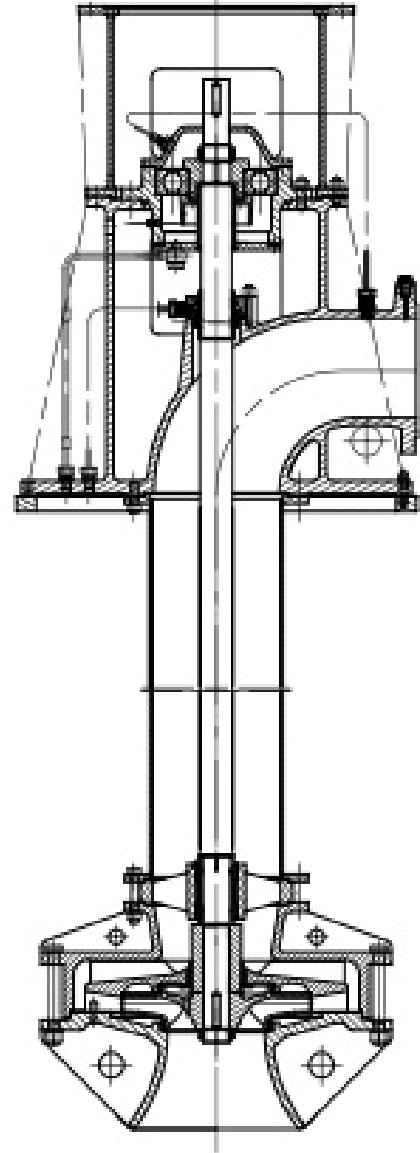
Vertically, radially split, shaft-driven pump, radially impeller, single flow, single and double stage. The design is based on our long time experience of manufacturing deep well pumps. The pump is placed on oil tank supported by fixing flange.

### Operating Data

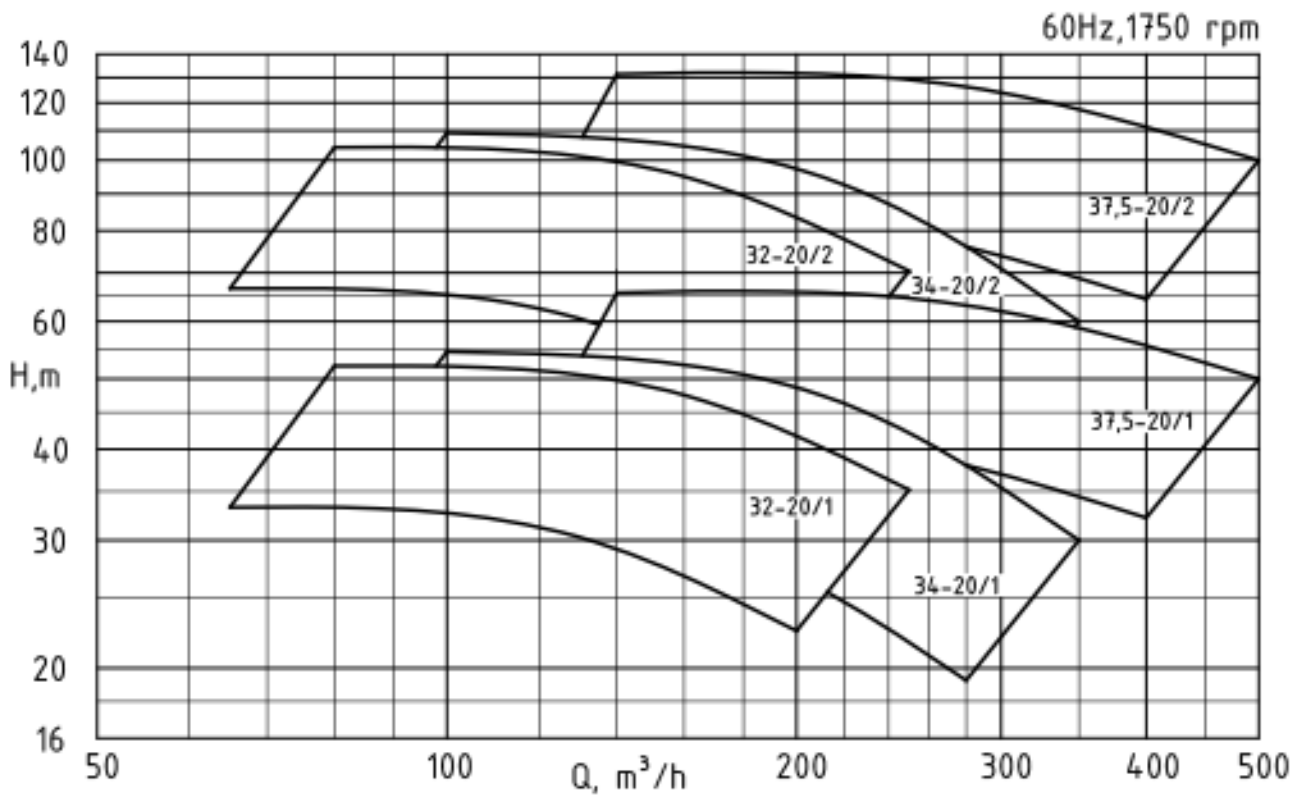
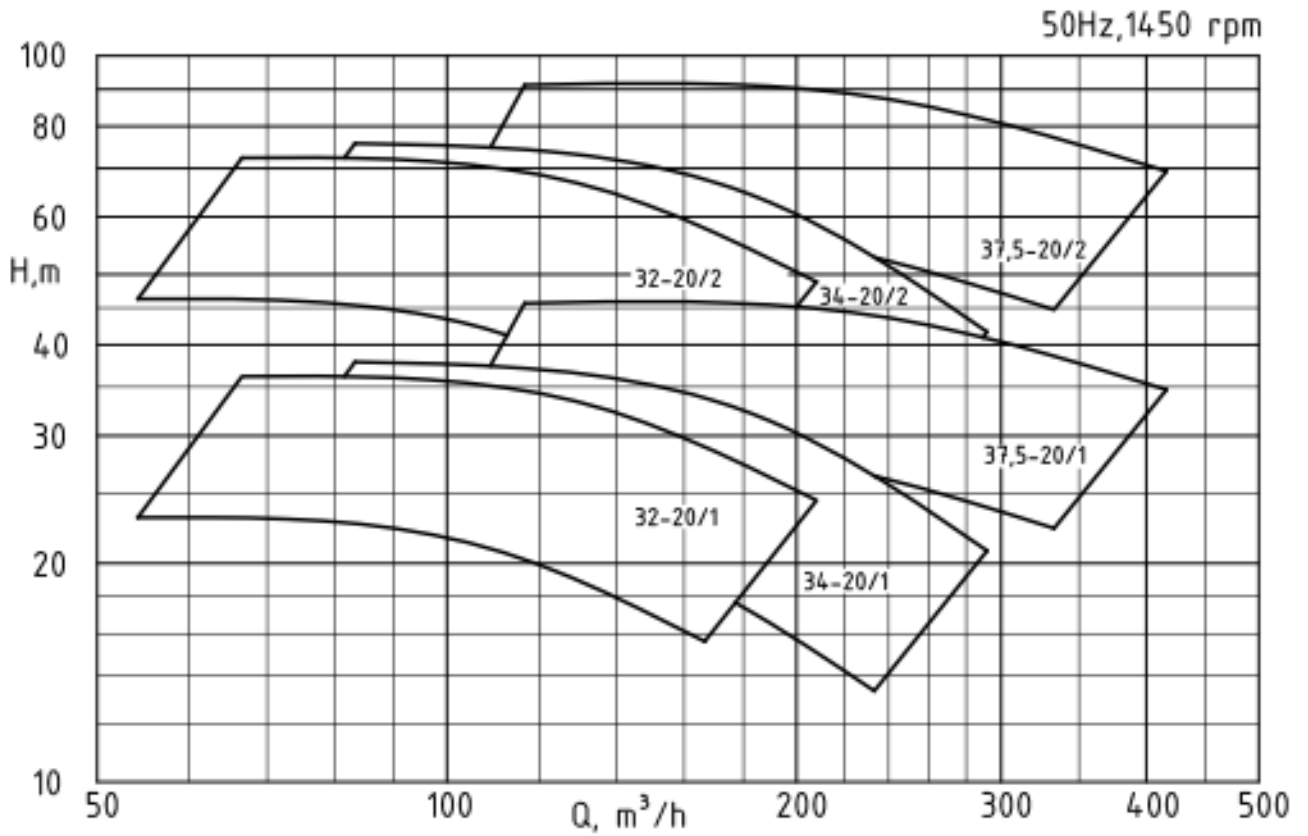
Capacities	Q	up to 500 m <sup>3</sup> /h
Heads	H	up to 120 m
Pump sizes	DN	200
Operating pressure	p <sub>2</sub>	up to 16 bar
Temperature	t	up to 100°C

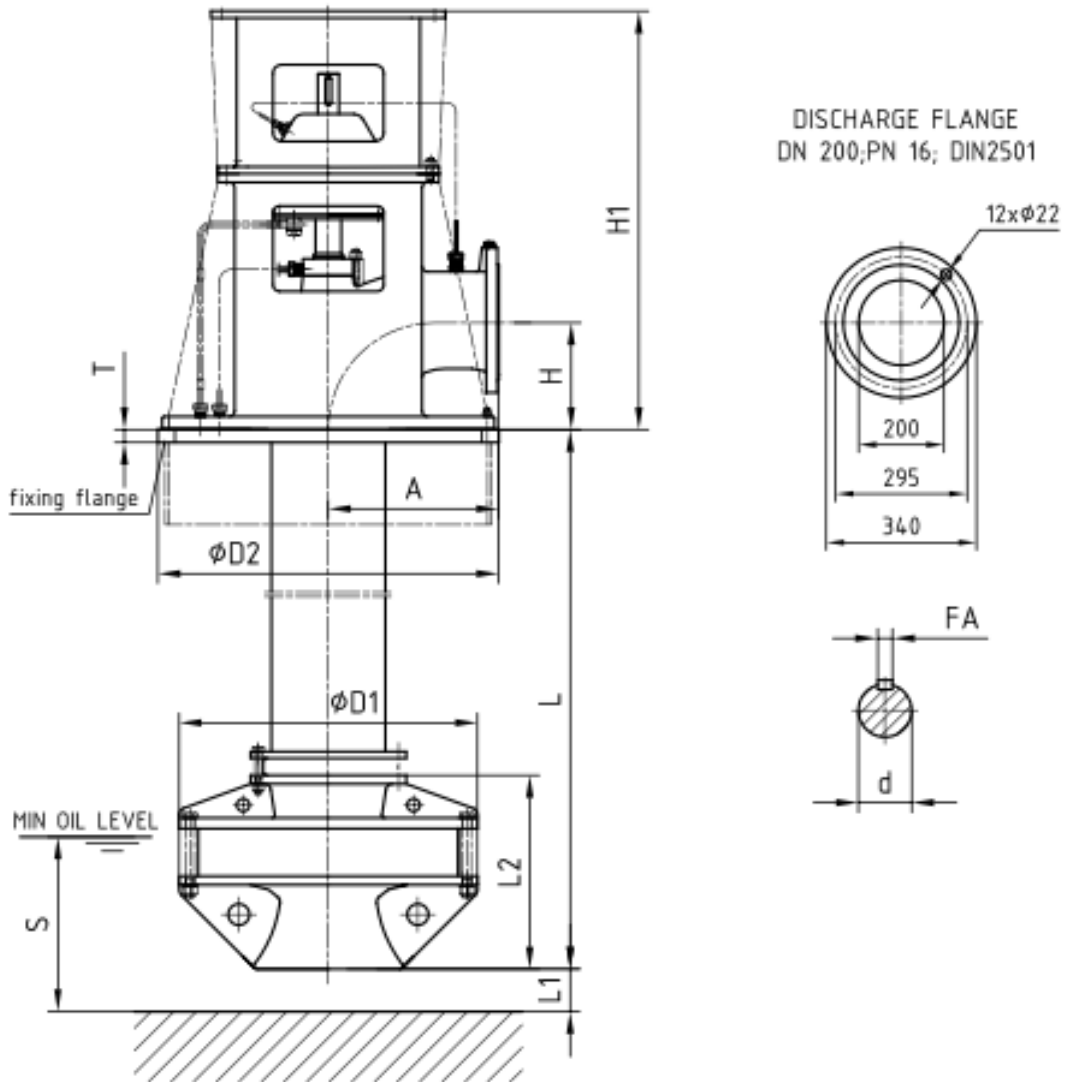
### Material specification

Pump casing:	Cast iron
Impeller:	Bronze
Wear ring:	Bronze
Discharge elbow:	Cast iron
Shaft:	Stainless steel
Mech. Shaft seal:	Carbon / Ceramic



## Selection Charts





	<b>PSN 32-20</b>	<b>PSN 34-20</b>	<b>PSN 37,5-20</b>	<b>PSN 32-20/2</b>	<b>PSN 34-20/2</b>	<b>PSN 37,5-2/20</b>
A	390	400	400	390	400	400
D1	550	670	700	550	670	700
D2	670	800	800	670	800	800
H	240	250	250	240	250	250
H1	899	977	978	899	977	978
L	Lenght can vary to suit site conditions					
L1	100					
L2	545	560	455	645	685	595
S	350	420	420	350	420	420
T	30	30	30	30	30	30
d	55	55	50	55	55	50
FA	16	16	14	16	16	14